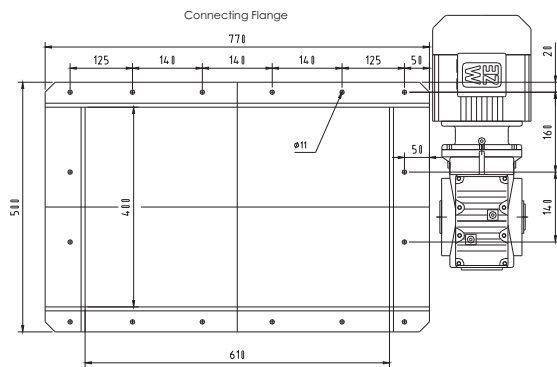
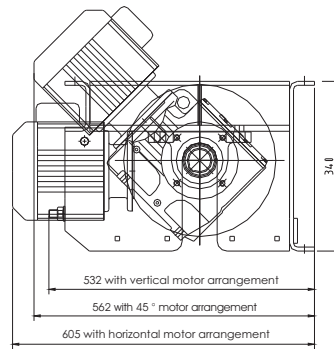
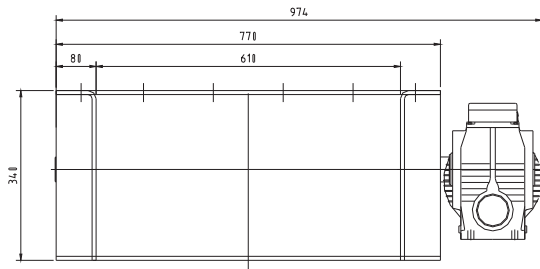


PERF-O-MAT Perforator for PET Bottles and Plastic Containers

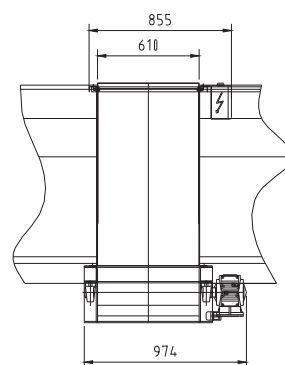
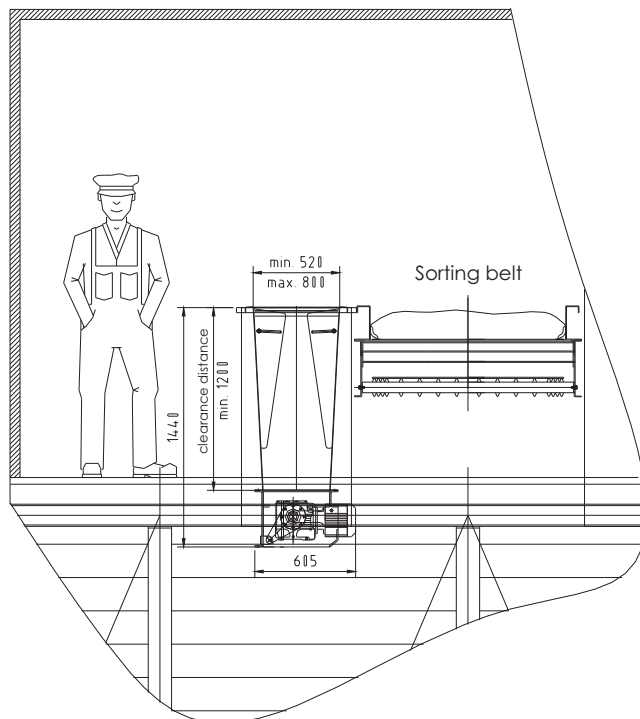


- Perforating Rate min. 95%
- No bottle crushing-
easy post-sorting without material loss
- Long service life of HARDOX ripping knives
- Blockage-free and overcharge safe functioning
- Ready-for-operation construction with electrical control system
- Excellent for retrofitting into light weight packaging sorting plants
- Fully compliant with European Health and Safety legislation
- Wide range of models with different working widths

General Drawing



PET-Perforator Standard Model



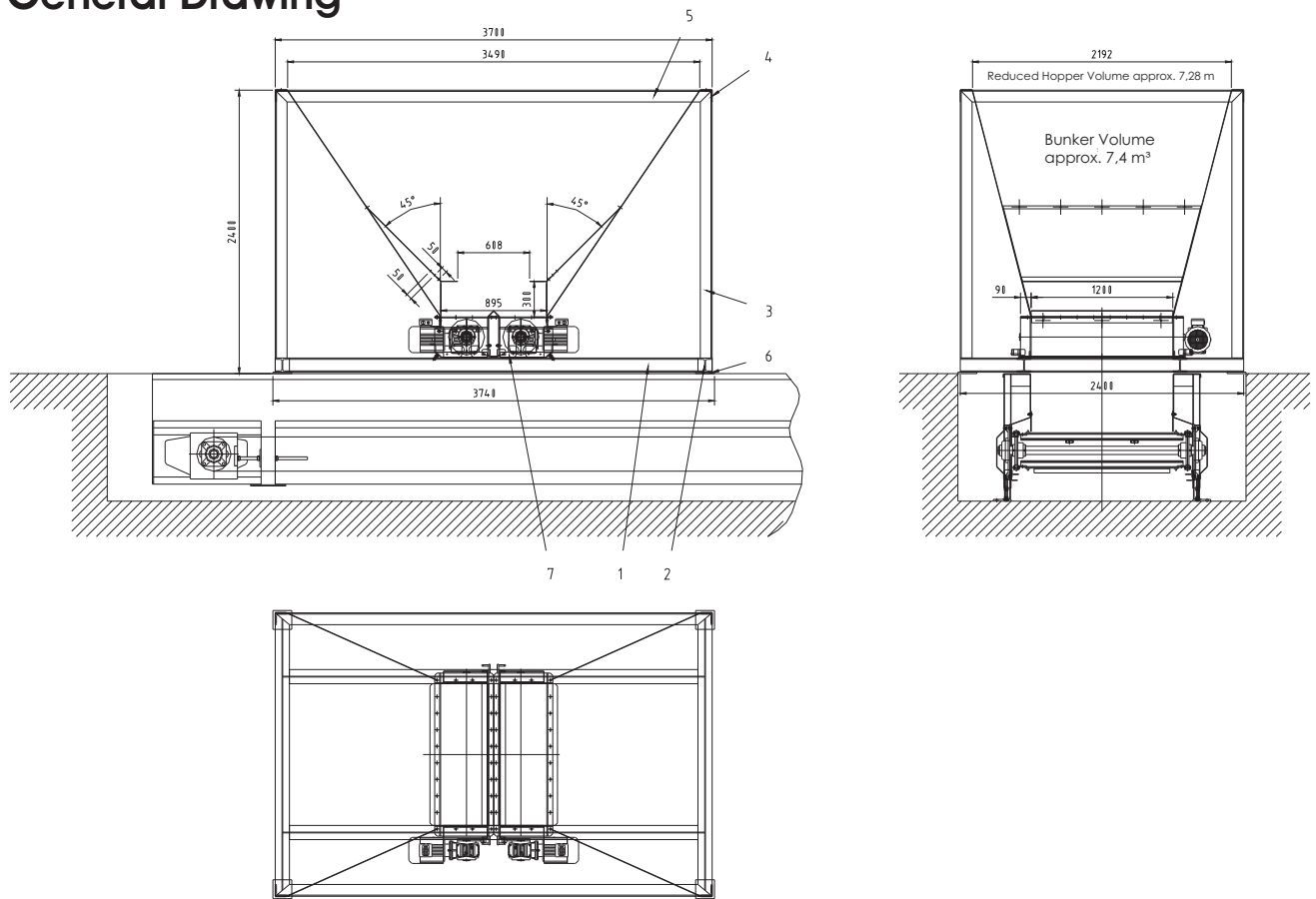
Installation example in the discharge chute of a sorting plant

PERF-O-MAT Perforator with Feed Funnel



- Perforating Rate min. 95%
- No shredding of containers - easy post-sorting without material loss
- Long service life of ripping knives
- Blockage-free and overcharge safe functioning
- High mobility and usability on various sites
- Higher capacity through flattening of containers
- Large feed funnel for feeding by front loader
- Ready for operation construction including drives and electrical control system
- Fully compliant with European Health and Safety legislation

General Drawing



Short Description

The PET Bottle Perforator with feed funnel is excellently suitable for feeding per front loader and placing over a charging belt to the bale press.

The bottles are being perforated and pressed for achieving a higher efficiency of the charging belt and faster feeding of the press.

The perforator's mobility allows the placing over the press feeding belt whenever needed. The other time, other materials can be transported over the belt and being pressed.